

borg &  
overström



Distinctive  
by design.

U1

borg&  
overström



### High capacity, counter-top convenience

With its sleek tap and compact, high capacity S2 under-counter unit, the U1 epitomises design-led innovation. Contemporary and discreet, this electronic tap will enhance any environment.

---

#### Reasons to choose

- High capacity output
- Low energy consumption
- Compact under-counter unit
- Elegant, minimalistic design
- Discreet, hygienic control panel
- Simple-fit ventilation base included with S2



---

Distinctive  
by design.

borg &  
overström



Water system



Direct Chill

Configuration



Undercounter

Water options



Chilled



Ambient



Sparkling



Distinctive  
by design.



## Catering for capacity

The U1 boasts a compact yet high capacity under-counter appliance. It delivers a speedy throughput of 80 litres per hour at a consistent chilled temperature, making it the perfect solution for busy environments including Horeca applications.

## Borg & Overström Totality®



Driven by a relentless pursuit of excellence, Borg & Overström Totality® is a research and development methodology for the advancement of hygiene, innovation and technology in refreshment systems.



**Ultra-violet sterilising system**  
For added hygiene confidence, appliances can be fitted with Viovand™ – an ultra-violet sterilisation process that reduces water-borne bacteria.

Distinctive  
by design.



**Laboratory certified 99.999% bacteria-reduced**  
Every Borg & Overström appliance undergoes an anti-microbial, antipathogen, sanitising procedure. The reassurance of hygienically safe appliances is provided by the unique bacteria-reducing process, Sterizen™.



**World-class filtration**  
For the ultimate drinking experience, Borg & Overström appliances can be pre-fitted with a 3M filter to reduce sediment, chlorine, odours and scale.



## U1 models

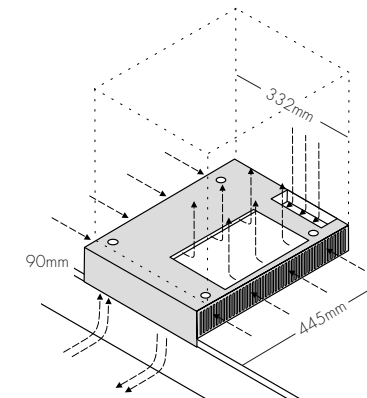
**Power requirements**  
Hertz 50/Volts 230

**Chilled temperature**  
Min 2°C/Max 11°C

**Throughput litres per hour**  
S1 Chilled 20/Sparkling 16  
S2 Chilled 80/Sparkling 80

Undercounter - S1 W230xD370xH390mm	Water system	Dispense height	Tap height	Max power consumption	Stainless Steel
Chilled & Ambient	Direct Chill	260mm	414mm	80W	601142
Chilled, Ambient & Sparkling	Direct Chill	260mm	414mm	100W	601162
Undercounter - S2 W330xD370xH362mm	Water system	Dispense height	Tap height	Max power consumption	Stainless Steel
Chilled & Ambient	Dry Chill®	260mm	414mm	570W	601501
Chilled, Ambient & Sparkling	Dry Chill®	260mm	414mm	570W	601502

Distinctive  
by design.



### Simple-fit Ventilation Base

A refined and simple-to-install ventilation kit is included with the S2 system.



Simply, great  
coffee  
U

Distinctive  
by design.

Additions for U1



**Biodegradable paper cups**  
Environmentally-friendly disposable cups designed to fit Borg & Overström cup dispensers perfectly.



**Personal drinking bottles**  
500ml capacity in black or grey frosted soft-touch finish. Comes with quick-release leak-proof cap and carry strap.



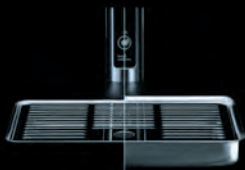
**500ml glass bottles**  
Suitable for dishwashers and bottlewashers. Perfect fit for the U1 tap. Stylish swing-top lid.



**Deep Sparkle® CO<sup>2</sup> refills**  
Can be disposed via standard steel recycling or general waste. Requires CO<sup>2</sup> regulator with gauge.



**Sanitisation kit**  
Six monthly sanitising cycles ensure appliances function at the optimum hygiene levels.



**Optional drip trays**  
There is a range of integrated or freestanding stainless steel drip trays.



**Waste kit overflow sensor**  
Featuring an audible high-water level alarm to prevent the waste tank from overflowing.



**Install kit with 3M filter**  
Install appliances simply and effectively in a wide range of applications. Complete with a 3M filter.



**Ultra-violet filter kit**  
Complete Viovand™ filter kit to assist in water purification and removal of unwanted micro-organisms.



**Mains waste kit**  
Mains waste kit connects the drip tray to the waste.